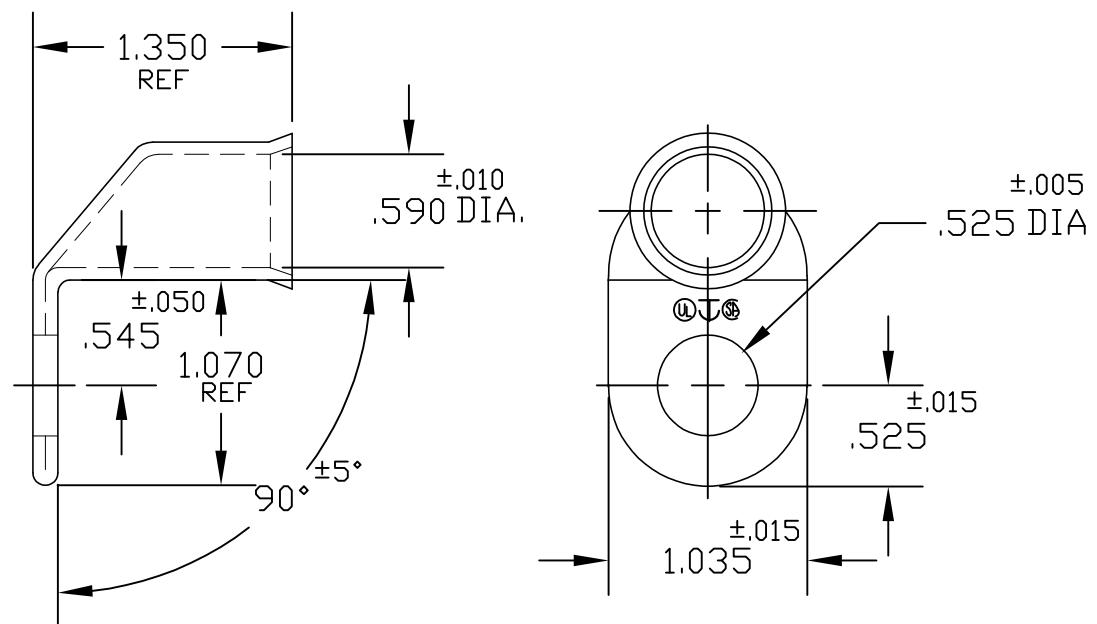


THIS DRAWING IS UNPUBLISHED. RELEASED FOR PUBLICATION
 © COPYRIGHT - BY TYCO ELECTRONICS CORPORATION. ALL RIGHTS RESERVED.

| LOC | DIST | REVISIONS | | | | | |
|-----|------|-----------|-----|-----------------------|---------|-----|------|
| | | P | LTR | DESCRIPTION | DATE | DWN | APVD |
| G | 50 | | B | REV PER ECR 07-014512 | 21JUN07 | JR | DD |



| | | | | |
|----------|-------------|-----------|-----------|-------------|
| ACTIVE | 40502-09-90 | STANDARD | TIN PLATE | 1526878-2 |
| OBSOLETE | 40502-08-90 | STANDARD | PLAIN | 1526878-1 |
| STATUS | AET P/N | PACKAGING | FINISH | PART NUMBER |

| | | | | |
|---|--|--------------------------|---|--------------------|
| THIS DRAWING IS A CONTROLLED DOCUMENT. | | DWN D.A.A 11/3/00 | Tyco Electronics Corporation Harrisburg, PA 17105-3608 | |
| DIMENSIONS: INCHES | | CHK H.D.F 11/3/00 | | |
| | | APVD H.D.F 11/3/00 | NAME 4/OB STANDARD TERMINAL WITH 90° BEND | |
| TOLERANCES UNLESS OTHERWISE SPECIFIED: 0 PLC ± - 1 PLC ± - 2 PLC ± - 3 PLC ± - 4 PLC ± - ANGLES ± - | | PRODUCT SPEC - | - | |
| MATERIAL COPPER ASTM B-152 | | FINISH - | APPLICATION SPEC - | RESTRICTED TO - |
| | | WEIGHT - | SIZE A3 | CAGE CODE 00779 |
| | | CUSTOMER DRAWING | DRAWING NO C-1526878 | SCALE 1:1 |
| | | | SHEET 1 OF 1 | REV B |